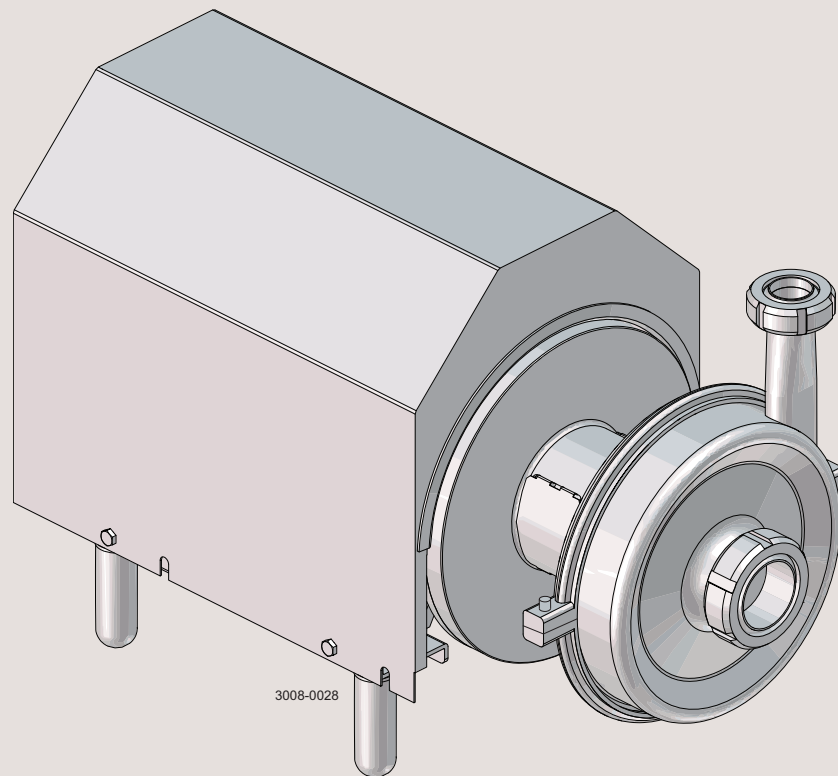




Spare Parts

SolidC Pump



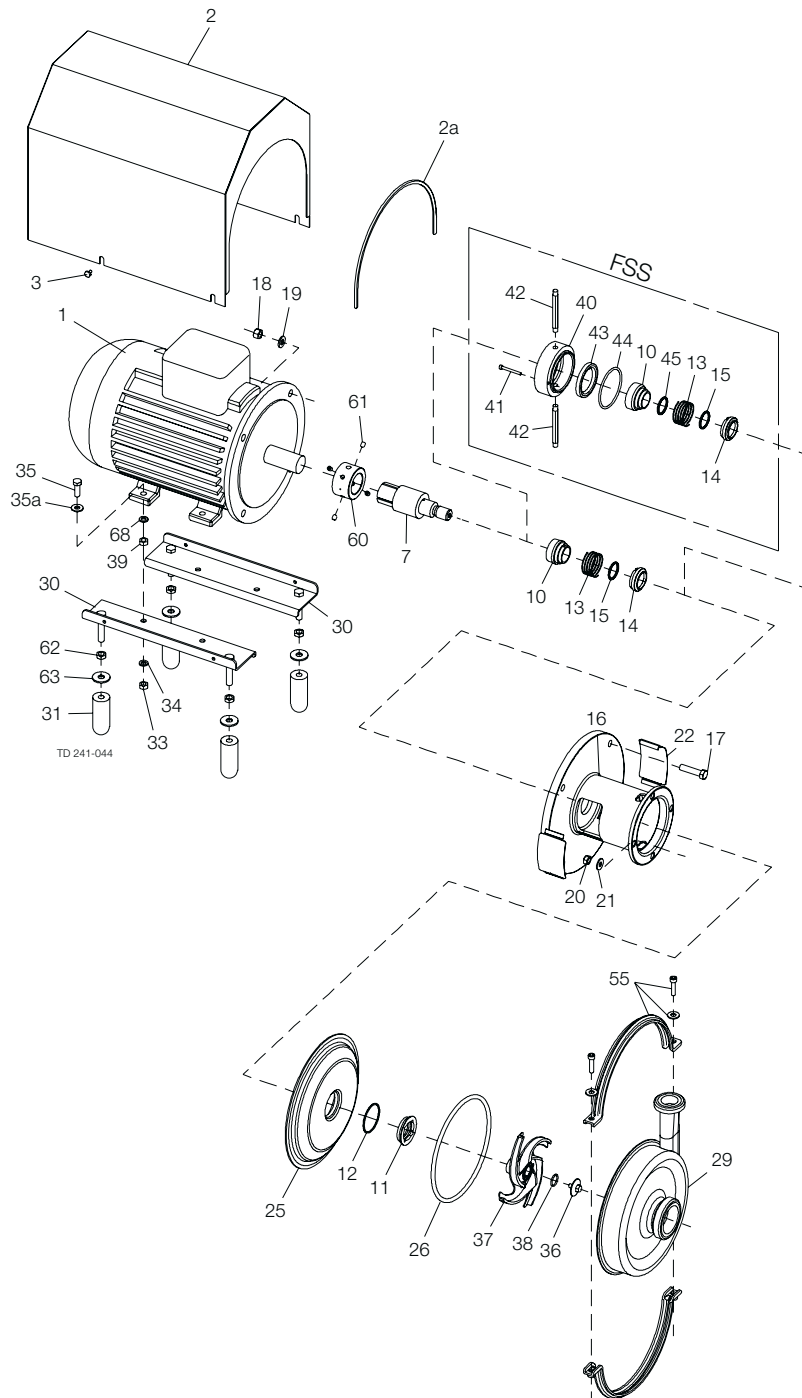
ESE00721-EN8 2016-11

Original manual

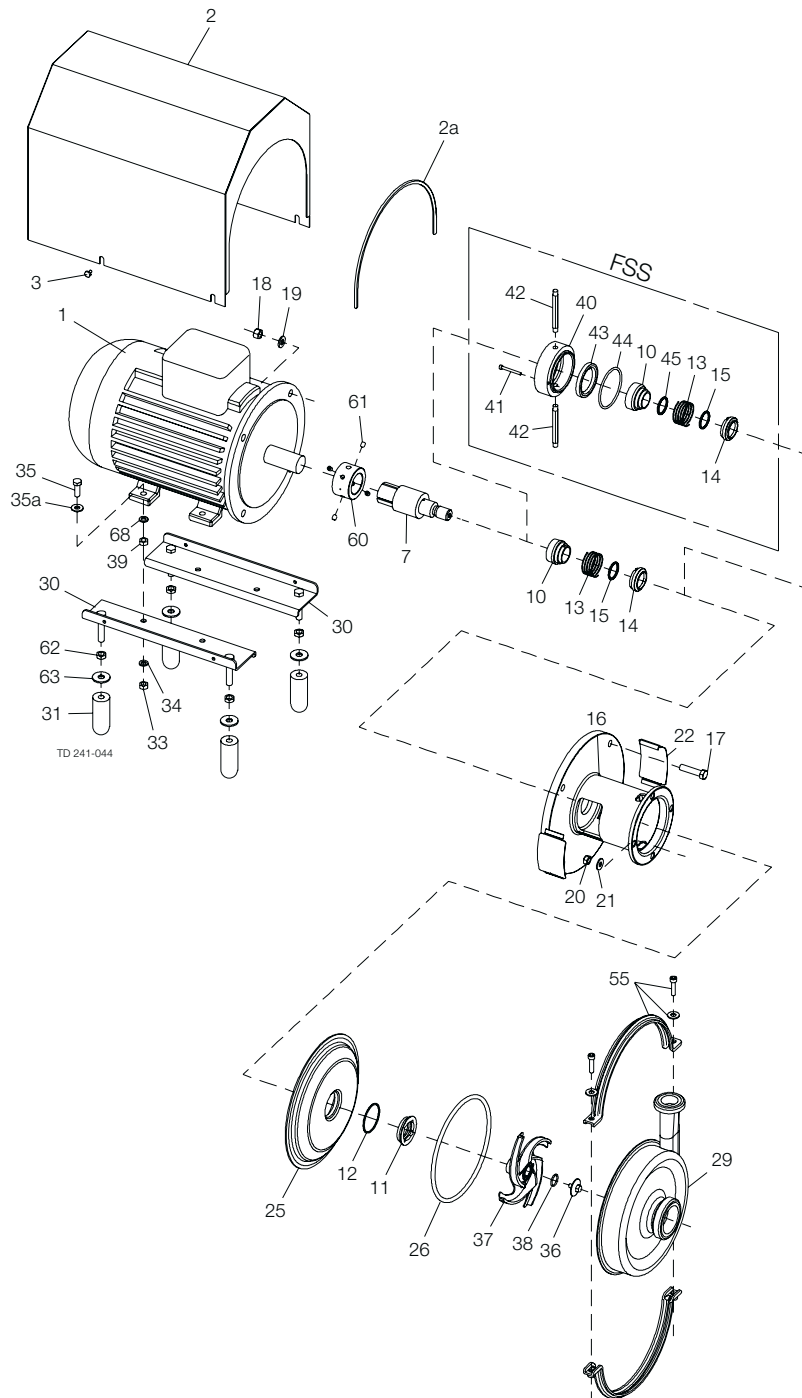
Table of contents

The information herein is correct at the time of issue but may be subject to change without prior notice

1. SolidC - Wet end	4
2. SolidC - Motor Depended Parts	6
3. SolidC - Shaft seal	8



Pos	Qty	Denomination	Solid C1	Solid C2	Solid C3	Solid C4
			IEC90-IEC112	IEC160	IEC132-IEC160	IEC132-IEC160
Pump casing std. blasted						
29	1	Pump casing, IDF	9612910101	9612910108		9612910122
		Pump casing, SMS	9612910102	9612910109	9612910116	9612910123
		Pump casing, DIN	9612910103	9612910110	9612910117	9612910124
		Pump casing, ISO	9612910104	9612910111	9612910118	9612910125
		Pump casing, BS	9612910105	9612910112	9612910119	9612910126
		Pump casing, DS	9612910106	9612910113	9612910120	9612910127
		Pump casing, sanitary flanges	9612910107	9612910114	9612910121	9612910128
Pump casing Mech Ra ≤ 0.8						
29	1	Pump casing, IDF	9612910301	9612910308	9612910315	9612910322
	1	Pump casing, SMS	9612910302	9612910309	9612910316	9612910323
	1	Pump casing, DIN	9612910303	9612910310	9612910317	9612910324
	1	Pump casing, ISO	9612910304	9612910311	9612910318	9612910325
	1	Pump casing, BS	9612910305	9612910312	9612910319	9612910326
	1	Pump casing, DS	9612910306	9612910313	9612910320	9612910327
	1	Pump casing, sanitary flanges	9612910307	9612910314	9612910321	9612910328
	1	Pump casing, flange DN50/DN40	9612913001			
	1	Pump casing, flange DN65/DN40		9612913002		
	1	Pump casing, flange DN80/DN40			9612913003	
	1	Pump casing, flange DN80/DN50				9612913004
26	□♦○■	O-ring for casing, EPDM (standard)	9611994241	9611994245	9611994249	9611994253
		O-ring for casing, NBR	9611994242	9611994246	9611994250	9611994254
		O-ring for casing, FPM	9611994243	9611994247	9611994251	9611994255
		O-ring for casing, FEP	9611994244	9611994248	9611994252	9611994256
55	1	Clamp set	9612915401	9612915402	9612915403	9612915404
37	1	Impeller, std. blasted	9612911502	9612911802	9612912102	9612912402
	1	Impeller, Mech Ra ≤ 0.8	9612911506	9612911806	9612912106	9612912406
36	1	Impeller screw, std. blasted Ra ≤ 1.6	9612362701	9612362701	9612362701	9612362701
	1	Impeller screw, Mech Ra ≤ 0.8	9612362703	9612362703	9612362703	9612362703
38	□♦○■	O-ring for impeller screw, EPDM (standard)	9611992750	9611992750	9611992750	9611992750
	1	O-ring for impeller screw, NBR	9611992751	9611992751	9611992751	9611992751
	1	O-ring for impeller screw, FPM	9611992752	9611992752	9611992752	9611992752
	1	O-ring for impeller screw, FEP	9611993539	9611993539	9611993539	9611993539
25	1	Back plate, std. blasted	9612911405	9612911406	9612911407	9612911408
	1	Back plate, Mech Ra ≤ 0.8	9612911409	9612911410	9612911411	9612911412
20	4	Nut	9611990353	9611990353	9611990353	9611990353
21	4	Washer	9611990786	9611990786	9611990786	9611990786



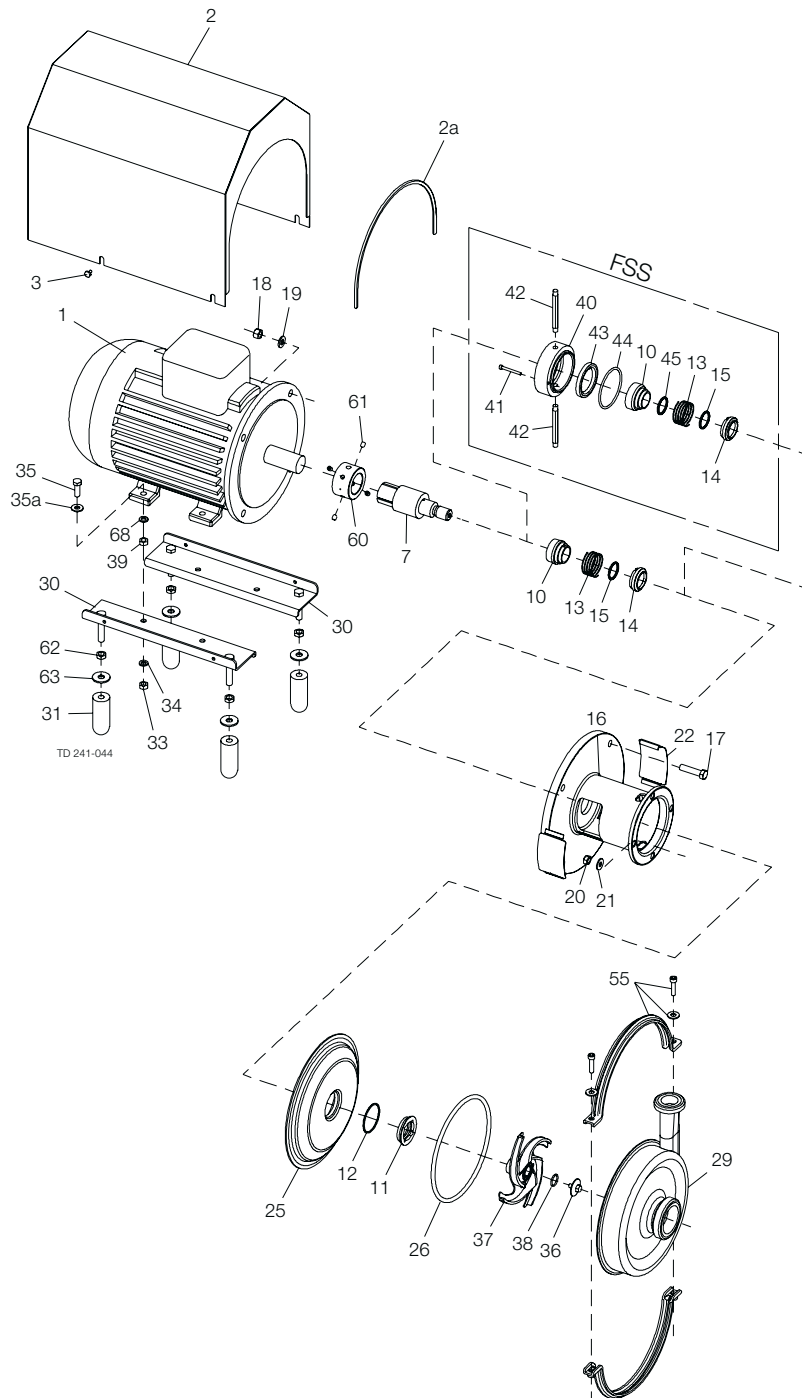
SolidC - Motor Depended Parts

Pos	Qty	Denomination	IEC90	IEC100	IEC112	IEC132	IEC160	IEC160
Motor dependent parts								
2	1	Shroud	9612919101	9612919105	9612919102	9612919103	9612919104	9612919104
2a	1	Edge list for shroud, (included in pos. "shroud")						
3	4	Screw for shroud	9611993240	9611993240	9611993240	9611993240	9611993240	9611993240
7	1	Shaft	9612913201	9612913301	9612913301	9612913401	9612913501	9612913501
16	1	Adaptor	9613459301	9613459302	9613459302	9613459303	9613459304	9613459304
17	4	Screw for adaptor	9611991374	9611992162	9611992162	9611992162	9611992164	9611992164
18	4	Nut for adaptor	9611990353	9611990587	9611990587	9611990587	9611992160	9611992160
19	4	Washer for adaptor	9611991887	9611990676	9611990676	9611990676	9611991886	9611991886
22	2	Covers	9612916801	9612916801	9612916801	9612916801	9612916801	9612916801
60	1	Comp. ring	9612914201	9612914202	9612914202	9612914203	9612914401	9612914401
61	4	Screw for comp. ring	9611994258	9611994258	9611994258	9611994259	9611994259	9611994259
30	2	Bracket	9612917401	9612917402	9612917403	9612917404	9612917405	9612917406
31	4	Legs	3146012481	3146012481	3146012481	3146012481	3146012481	3146012481
33	4	Nut for legs	9611990360	9611990353	9611990353	9611990353	9611990587	9611990587
34	4	Spring washer for legs	9611991888	9611991887	9611991887	9611991887	9611990676	9611990676
35	4	Screw for legs	9611993241	9611991911	9611991911	9611991911	9611992162	9611992162
35a	4	Washer for legs		9611990786	9611990786	9611990786	9611990706	9611990706
62	4	Nut for legs	9611991829	9611991829	9611991829	9611991829	9611991829	9611991829
63	4	Washer for legs	3146001041	3146001041	3146001041	3146001041	3146001041	3146001041
39	4	Spacer for legs		9615309301				
68	4	Washer for legs		3146001041				

Pos	Qty	Denomination	1.5 kW	2.2 kW	3 kW	4 kW	5.5 kW
			IEC90	IEC90	IEC100	IEC112	IEC132
1	1	Motor WEG 3000rpm	9614303101	9614303102	9614303103	9614303104	9614303105

Pos	Qty	Denomination	7.5 kW	11 kW	15 kW	18.5 kW	22 kW
			IEC132	IEC160	IEC160	IEC160	IEC160
1	1	Motor WEG, 3000rpm	9614303106	9614303107	9614303108	9614303109	9614303110

3 ~, 50 Hz, 220-240VD/380-415VY - Standard ≤ 22 kW
 3 ~, 60 Hz, 460VY - Standard ≤ 22 kW

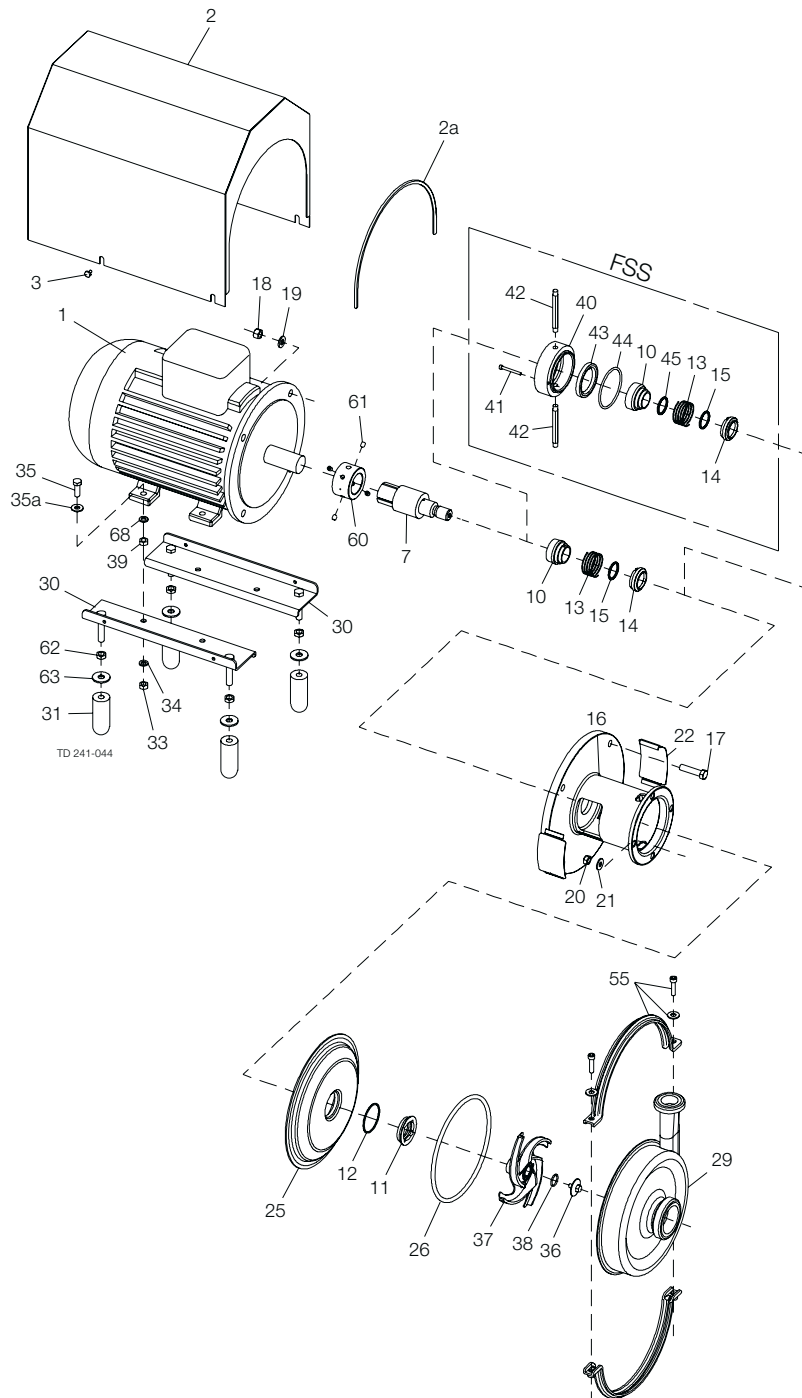


TD 241-044

SolidC - Shaft seal

Pos	Qty	Denomination	SolidC 1 - 4
Accessories			
1	1	Tool for seal	9612903601
	1	Impeller gauge	9612912801
Parts for flushed shaft seal			
40	1	Seal housing	9612133901
41	2	Screw for seal housing	9611990203
42	2	Tube	9612358914
Drive ring			
10	1	Drive ring, Single shaft seal	9614206001
	1	Drive ring, Flushed shaft seal	9612926801

Pos	Qty	Denomination	SolidC 1-4 EPDM	SolidC 1-4 NBR	SolidC 1-4 FPM	SolidC 1-4 FEP
Single shaft seal (standard)						
		□◆ Complete shaft seal, C/SiC	9612129609	9612129610	9612129611	9612129612
11	1	Stationary seal ring, SiC				
12	1	O-ring, EPDM				
13	1	Spring				
14	1	Rotating seal ring, Carbon				
15	1	O-ring, EPDM				
Alternatives for single shaft seal						
		◆■ Complete shaft seal, SiC/SiC	9612129605	9612129606	9612129607	9612129608
11	1	Stationary seal ring, SiC				
12	1	O-ring, EPDM				
13	1	Spring				
14	1	Rotating seal ring, SiC				
15	1	O-ring, EPDM				
Flushed shaft seal (standard)						
		○■ Complete shaft seal, C/SiC	9612919301	9612919302	9612919303	9612919304
11	1	Stationary seal ring, SiC				
12	1	O-ring, EPDM				
13	1	Spring				
14	1	Rotating seal ring, Carbon				
15	1	O-ring, EPDM				
43	1	Lip seal				
44	1	O-ring for seal housing, EPDM				
45	1	O-ring for drive ring				
Alternatives for flushed shaft seal						
		★⊕ Complete shaft seal, SiC/SiC	9612919305	9612919306	9612919307	9612919308
11	1	Stationary seal ring, SiC				
12	1	O-ring, EPDM				
13	1	Spring				
14	1	Rotating seal ring, SiC				
15	1	O-ring, EPDM				
43	1	Lip seal				
44	1	O-ring for seal housing , EPDM				
45	1	O-ring for drive ring				



SolidC - Shaft seal

		EPDM	NBR	FPM	FEP
Service kit for single shaft seal C/SiC					
□	Service kit, C/SiC (SolidC-1)	9611922454	9611922455	9611922456	9611922457
□	Service kit, C/SiC (SolidC-2)	9611922471	9611922472	9611922473	9611922474
□	Service kit, C/SiC (SolidC-3)	9611922487	9611922488	9611922489	9611922490
□	Service kit, C/SiC (SolidC-4)	9611922503	9611922504	9611922505	9611922506
Service kit for single shaft seal SiC/SiC					
○	Service kit, SiC/SiC (SolidC-1)	9611922811	9611922812	9611922813	9611922814
○	Service kit, SiC/SiC (SolidC-2)	9611922819	9611922820	9611922821	9611922822
○	Service kit, SiC/SiC (SolidC-3)	9611922827	9611922828	9611922829	9611922830
○	Service kit, SiC/SiC (SolidC-4)	9611922835	9611922836	9611922837	9611922838
Service kit for flushed shaft seal C/SiC					
◆	Service kit, C/SiC (SolidC-1)	9611922462	9611922463	9611922464	9611922465
◆	Service kit, C/SiC (SolidC-2)	9611922479	9611922480	9611922481	9611922482
◆	Service kit, C/SiC (SolidC-3)	9611922495	9611922496	9611922497	9611922498
◆	Service kit, C/SiC (SolidC-4)	9611922511	9611922512	9611922513	9611922514
Service kit for flushed shaft seal SiC/SiC					
*	Service kit, SiC/SiC (SolidC-1)	9611922815	9611922816	9611922817	9611922818
*	Service kit, SiC/SiC (SolidC-2)	9611922823	9611922824	9611922825	9611922826
*	Service kit, SiC/SiC (SolidC-3)	9611922831	9611922832	9611922833	9611922834
*	Service kit, SiC/SiC (SolidC-4)	9611922839	9611922840	9611922841	9611922842

Parts marked with □◆○★❖◆■⊕ are included in the service kits.

Recommended spare parts: Service kits.

Conversion single to flushed shaft seal : Please order flushed service kit + pos. 10 + 40 + 41 + 42

(900624/6)

How to contact Alfa Laval

Contact details for all countries are continually updated on our website.

Please visit www.alfalaval.com to access the information directly.

© Alfa Laval Corporate AB

This document and its contents is owned by Alfa Laval Corporate AB and protected by laws governing intellectual property and thereto related rights. It is the responsibility of the user of this document to comply with all applicable intellectual property laws. Without limiting any rights related to this document, no part of this document may be copied, reproduced or transmitted in any form or by any means (electronic, mechanical, photocopying, recording, or otherwise), or for any purpose, without the expressed permission of Alfa Laval Corporate AB. Alfa Laval Corporate AB will enforce its rights related to this document to the fullest extent of the law, including the seeking of criminal prosecution.