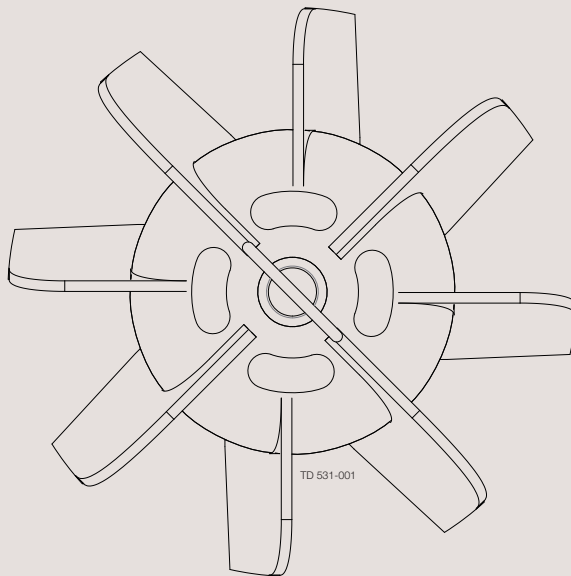




## Spare Parts

### Magnetic Mixer MM434



**Not manufactured anymore**

ESE02447-EN10 2020-06

Original manual



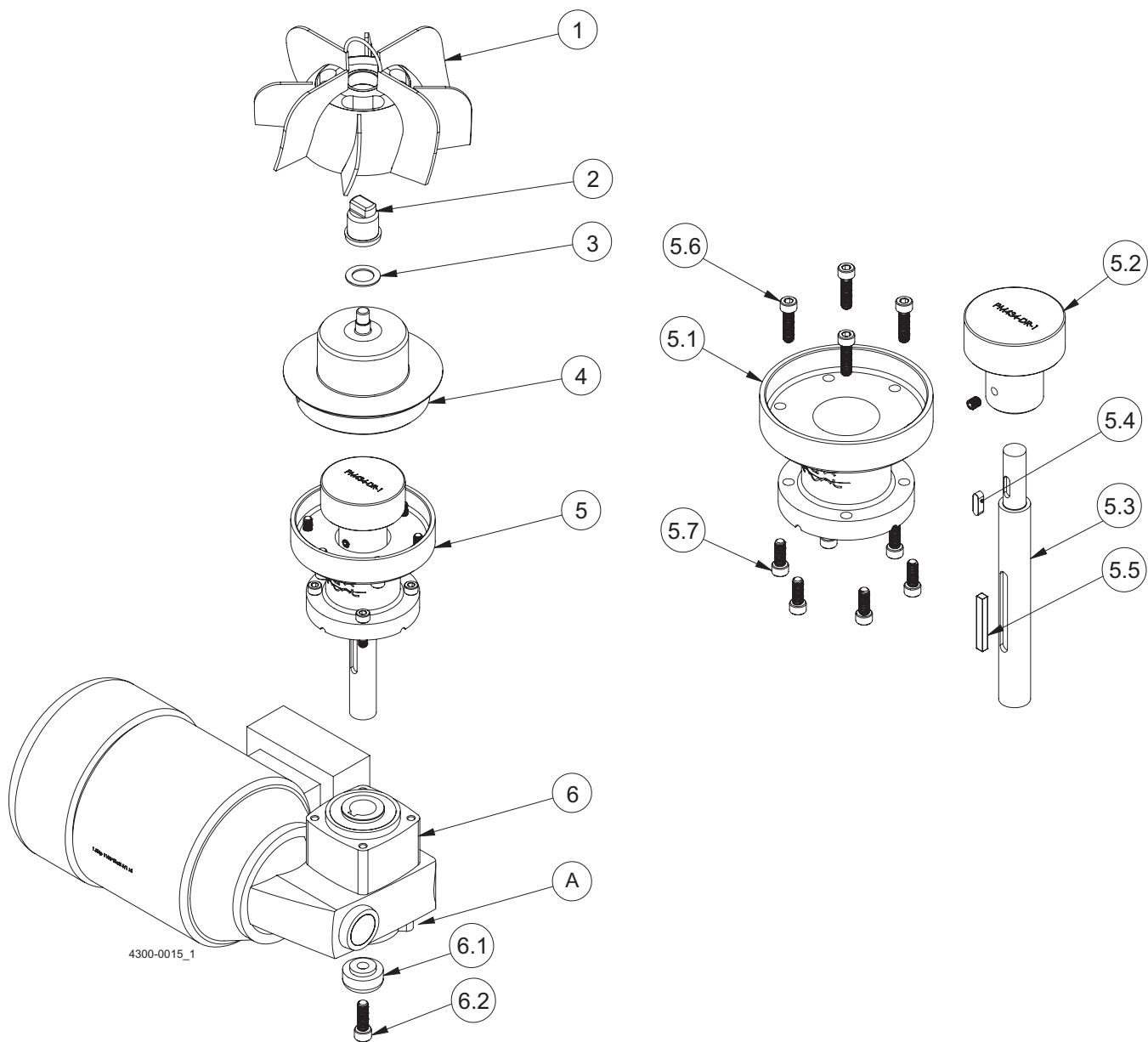
---

*The information herein is correct at the time of issue but may be subject to change without prior notice*

<b>1. Component Drawing and List of Parts, Magnetic Mixer MM434</b> .....	<b>4</b>
<b>2. Upgrade possibilities of MM434</b> .....	<b>10</b>
2.1. Drive Unit Upgrade (DU KIT and Gear Motor) .....	12

*Not manufactured anymore*

-2 and -3 versions



**Pos. A: No fixing element cover = version 2 or 3**

## Component Drawing and List of Parts, Magnetic Mixer MM434

### Parts list, Magnetic Mixer MM434 -2 and -3 versions

Pos	Qty	Denomination	Item no.	Size
1	□	- IMP, PM4348"-HSA IMPELLER, new (20 Ra max) .....	9634086383	8
	□	- IMP, PM43410"-HSA IMPELLER, new (20 Ra max) .....	9634086384	10
	□	- IMP, PM4348"-HSA-EP, new (20 Ra max plus Electro polish) ....	9634086515	8
	□	- IMP, PM43410"-HSA-EP, new (20 Ra max plus Electro polish) ..	9634086516	10
1*	□	- MM434-IMPFB-REPAIR, Replacement of female bearing .....	9634086487	All
	□	- MM434-IMPFB-REPAIR-EP, Replacement of female bearing +EP .....	9634089580	All
2		- Male Bearing, YTZP (Zirconia Ceramic) .....	9634086143	
3		- Male Bearing Gasket, ISOLAST® PerFluoro elastomer .....	9634086145	
4		- Weld Plate, 316L Stainless Steel .....	9634086404	Accy**
5	□	- Drive unit kit, See table below .....		
5.1	□	- DU flange, See table below .....		
5.2		- Drive Rotor .....	9634086129	
5.3	□	- Axle, see table below .....		
5.4		- Key .....	N/A	M6x20
5.5		- Key, supplied with gear motor .....	N/A	M8x7x65
5.6		- SHCS, Stainless Steel .....		M8x30
5.7		- SHCS, Stainless Steel .....		M8x22
6	□	- Gear Motor code A, 3 X 230/460 VAC 60Hz .....	9634086554	1.5Hp
	□	- Gear Motor code B, 3 X 332/575 VAC 60Hz .....	9634086555	1.5Hp
	□	- Gear Motor code C, 3 X 205/355 VAC 50Hz .....	9634086527	1.5Hp
	□	- Gear Motor code D, 3 X 230/400 VAC 50Hz .....	9634086556	1.5Hp
6.1		- Fixing Element, supplied with gear motor .....	N/A	
6.2		- SHCS, supplied with gear motor .....	N/A	M10

**Note\*:** Pos. 1 REPAIR: The impeller must be returned to Alfa Laval for repair. Please contact Customer Support.

**Note\*\*:** Pos. 4: Accessory - not Spare part.

Version	Pos. 5 Drive unit kit	Pos. 5.1 DU flange	Pos. 5.3 Axle
-2, Stainless steel	9634086469	9634086432	9634086126
-3, extended version	9634086558	9634086562	9634086561

#### Conversion Kit to be used when upgrading the -2 or -3 Gear motor to the -6 Drive Unit:

9614452002 MM434-6-DU CONVERSION KIT

*Note: Drive rotor from existing Drive Unit to be re-used.*

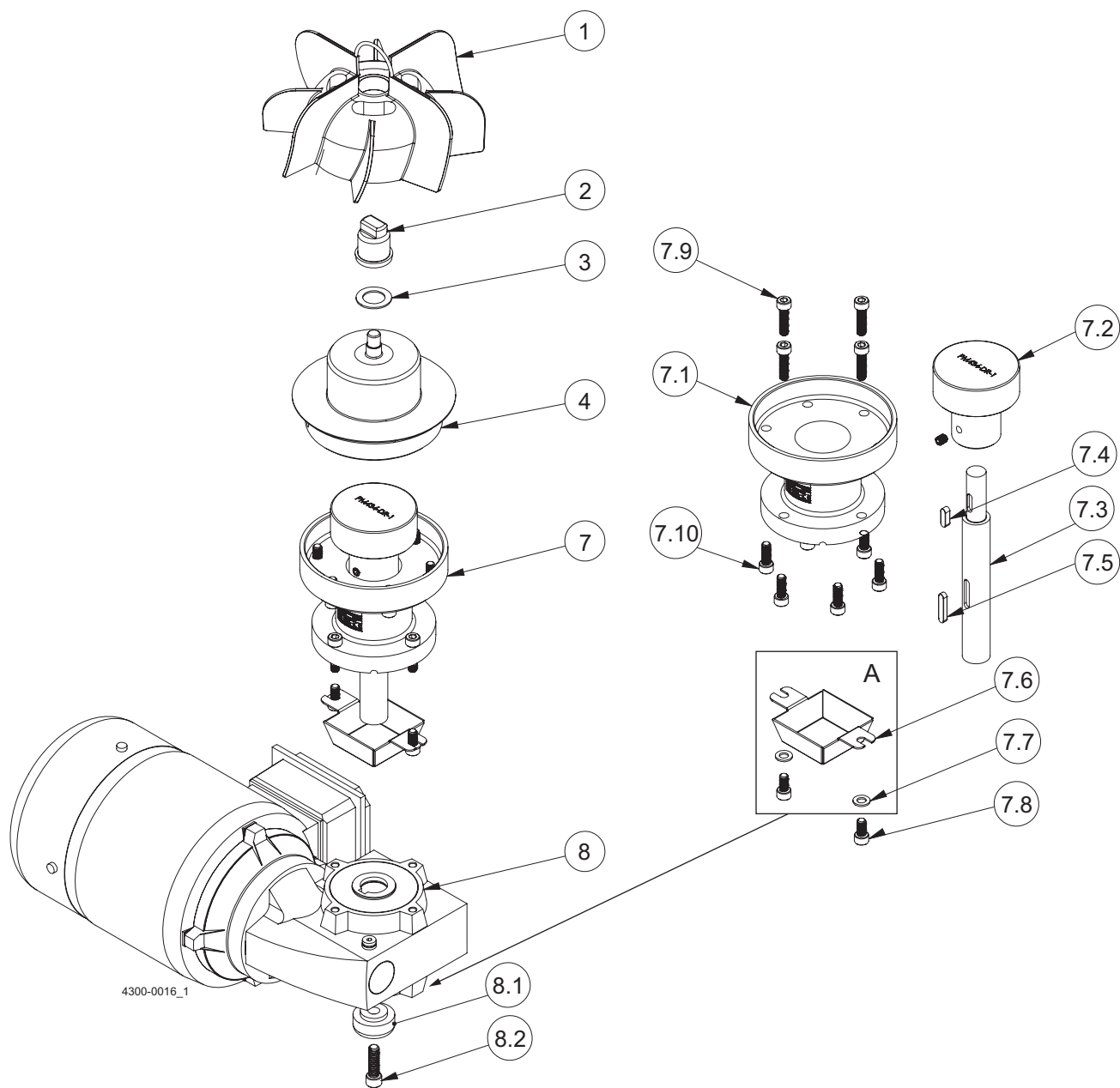
#### Conversion Kit to be used when upgrading the -2 or -3 Gear motor to the -7 Drive Unit:

9636000498 MM434-7-DU CONVERSION KIT

*Note: Drive rotor from existing Drive Unit to be re-used.*

*Not manufactured anymore*

-6 and -7 versions



*Pos. A: Fixing element cover = version 6 or 7*

## Component Drawing and List of Parts, Magnetic Mixer MM434

### Parts List, Magnetic Mixer MM434

-6 and -7 versions

Pos	Qty	Denomination	Item no.	Size
1	□	- IMP, PM4348"-HSA IMPELLER, new (20 Ra max) .....	9634086383	8
	□	- IMP, PM43410"-HSA IMPELLER, new (20 Ra max) .....	9634086384	10
	□	- IMP, PM4348"-HSA-EP, new (20 Ra max plus Electro polish) ....	9634086515	8
	□	- IMP, PM43410"-HSA-EP, new (20 Ra max plus Electro polish) ..	9634086516	10
1*	□	- MM434-IMPFB-REPAIR, Replacement of female bearing .....	9634086487	All
	□	- MM434-IMPFB-REPAIR-EP, Replacement of female bearing +EP .....	9634089580	All
2		- Male Bearing, YTZP (Zirconia Ceramic) .....	9634086143	
3		- Male Bearing Gasket, ISOLAST® PerFluoro elastomer .....	9634086145	
4		- Weld Plate, 316L Stainless Steel .....	9634086404	Accy**
7	□	- Drive Unit Kit, see table below .....		
7.1	□	- DU Flange, see table below .....		
7.2		- Drive Rotor .....	9634086129	
7.3	□	- Axle, see table below .....		
7.4		- Key .....	N/A	M6x20
7.5		- Key, supplied with gear motor .....	N/A	M8x7x65
7.6		- Fixing element cover, Stainless Steel .....	9634093421	
7.7		- Washer, Stainless Steel .....		M8
7.8		- SHCS, Stainless Steel .....		M8x16
7.9		- SHCS, Stainless Steel .....		M8x30
7.10		- SHCS, Stainless Steel .....		M8x22
8	□	- Gear Motor code A, 3 X 230/460 VAC 60Hz .....	9634093415	1.5Hp
	□	- Gear Motor code B, 3 X 332/575 VAC 60Hz .....	9634093417	1.5Hp
	□	- Gear Motor code D, 3 X 230/400 VAC 50Hz .....	9634093419	1.5Hp
8.1		- Fixing Element, supplied with gear motor .....	N/A	
8.2		- SHCS, supplied with gear motor .....	N/A	M10

**Note\*:** Pos. 1 REPAIR: The impeller must be returned to Alfa Laval for repair. Please contact Customer Support.

**Note\*\*:** Pos. 4: Accessory - not Spare part.

Version	Pos. 7 Drive unit kit	Pos. 7.1 DU flange	Pos. 7.3 Axle
-6, Stainless steel	9634093413	9634093282	9634093283
-7, extended version	9634093521	9634093284	9634093281

### Identification of Magnetic Mixer version

#### All versions

The version of the Magnetic Mixer can be identified from the article number of the complete mixer.

We refer to order acknowledgement or delivery note on which the article number is stated.

#### Version 6 and 7

In addition to the article number, the version can also be identified from the description code on the plaque (example version 6):



### Article number overview

#### Version 2 & 3

Version 2 Article numbers, complete mixer	Version 3 Article numbers, complete mixer
9614063913	9614063949
9614063914	(Extended flange)
9614063919	
9614063920	
9614063925	
9614063926	
9614063931	
9614063932	
9614063937	
9614063938	
9614063943	
9614063944	

Note:

- Serial # is stated on the impeller



Version 6 & 7

Version 6 Article numbers, complete mixer	Version 7 Article numbers, complete mixer
9614303501	9614307801
9614303502	9614343901
9614303503	(Extended flange)
9614303504	
9614303505	
9614303506	
9614303507	
9614303508	
9614303509	
9614303510	
9614303511	
9614303512	

Note:

- Serial # is stated on the plaque

## 2 Upgrade possibilities of MM434

MM434	Upgrade Possibilities	Note about Driving Conditions	Method
New Impeller	WP81 Impeller	The recommended maximum speeds in a fully baffled tank - mixing products with water like viscosity - are: 8" impeller: 200 RPM 10" impeller: 185 RPM	Configure new LeviMag® without Weld Plate and Drive Unit
New Impeller + *Drive Unit	WP81 Impeller + *Drive Unit WP81	According to the Instruction Manual for LeviMag®	Configure new LeviMag® without Weld Plate
*New Drive Unit	*Drive Unit WP81	The recommended maximum speeds in a fully baffled tank - mixing products with water like viscosity - are: 8" impeller: 200 RPM 10" impeller: 185 RPM	DU Kit and Gear Motor (Clean Room or Blue)

\* Be sure to check measurement **E** and **G** difference between old Drive Unit and new Drive Unit to ensure the new one will fit your current solution. See underneath shown scheme.

Table 1. MM434-8

Type	Magnetic Mixer UltraPure, MMU				LeviMag®				LeviMag®	
	-2	-3	-6	-7	S (painted)	E (painted)	S (cl.room)	E (cl.room)	S (PREMIUM)	E (PREMIUM)
Version										
Dimension mm / inch	MM434-8	MM434-8	MM434-8	MM434-8	WP81 Ø200	WP81 Ø200	WP81 Ø200	WP81 Ø200	WP81 Ø200	WP81 Ø200
A	Ø203 / 8	Ø203 / 8	Ø203	Ø203	Ø200	Ø200	Ø200	Ø200	Ø200	Ø200
B	118 / 4.63	118 / 4.63	118	118	98	98	98	98	98	98
C	Ø149 / 5.87	Ø149 / 5.87	Ø149	Ø149	Ø149	Ø149	Ø149	Ø149	Ø149	Ø149
D	88 / 3.5	138 / 5.4	87	137	89	139	89	139	89	139
E	331 / 13.0	381 / 15	243	293	243	293	243	293	243	293
F	338 / 13.3	338 / 13.3	347	347	354	354	357	357	354	354
G	96.6 / 3.8	146.60 / 5.77	62	112	74	124	70	120	78	128
H	141.5 / 5.57	141.5 / 5.57	141,5	141,5	114	114	117	117	110	110
I	97 / 3.81	97 / 3.81	97	97	111	111	98	98	112	112

Table 2. MM434-10

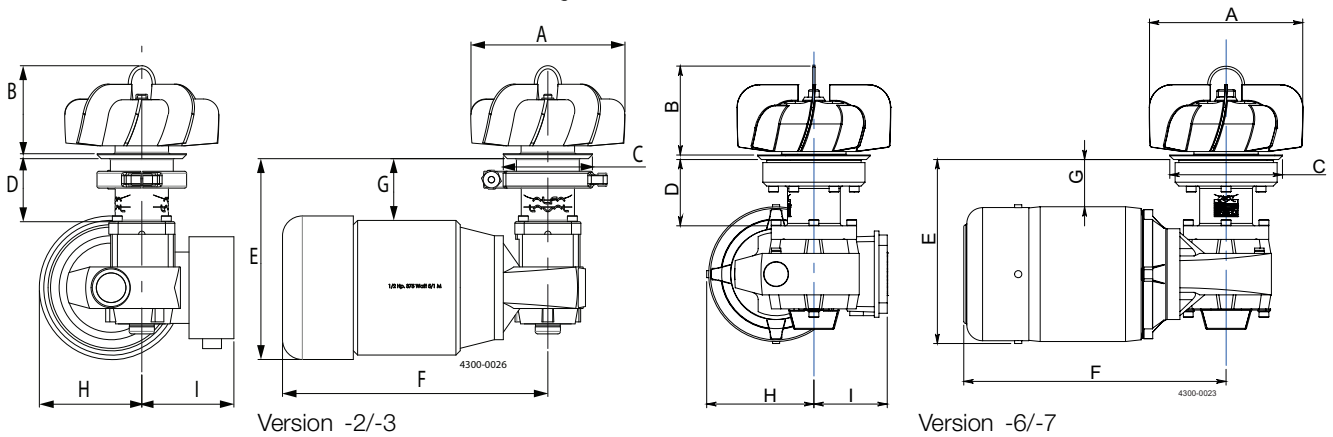
Type	Magnetic Mixer UltraPure, MMU				LeviMag®				LeviMag®	
	-2	-3	-6	-7	S (painted)	E (painted)	S (cl.room)	E (cl.room)	S (PREMIUM)	E (PREMIUM)
Version										
Dimension mm / inch	MM434-10	MM434-10	MM434-10	MM434-10	WP81 Ø250	WP81 Ø250	WP81 Ø250	WP81 Ø250	WP81 Ø200	WP81 Ø200
A	Ø254 / 10	Ø254 / 10	Ø254	Ø254	Ø250	Ø250	Ø250	Ø250	Ø200	Ø200
B	183 / 7.21	183 / 7.21	183	183	98	98	98	98	98	98
C	Ø149 / 5.87	Ø149 / 5.87	Ø149	Ø149	Ø149	Ø149	Ø149	Ø149	Ø149	Ø149
D	88 / 3.5	138 / 5.4	87	137	89	139	89	139	89	139
E	331 / 13.0	381 / 15	243	293	243	293	243	293	243	293
F	338 / 13.3	338 / 13.3	347	347	354	354	357	357	354	354
G	96.6 / 3.80	146.60 / 5.77	62	112	74	124	70	120	78	128
H	141.5 / 5.57	141.5 / 5.57	141,5	141,5	114	114	117	117	110	110
I	97 / 3.81	97 / 3.81	97	97	111	111	98	98	112	112

## 2 Upgrade possibilities of MM434

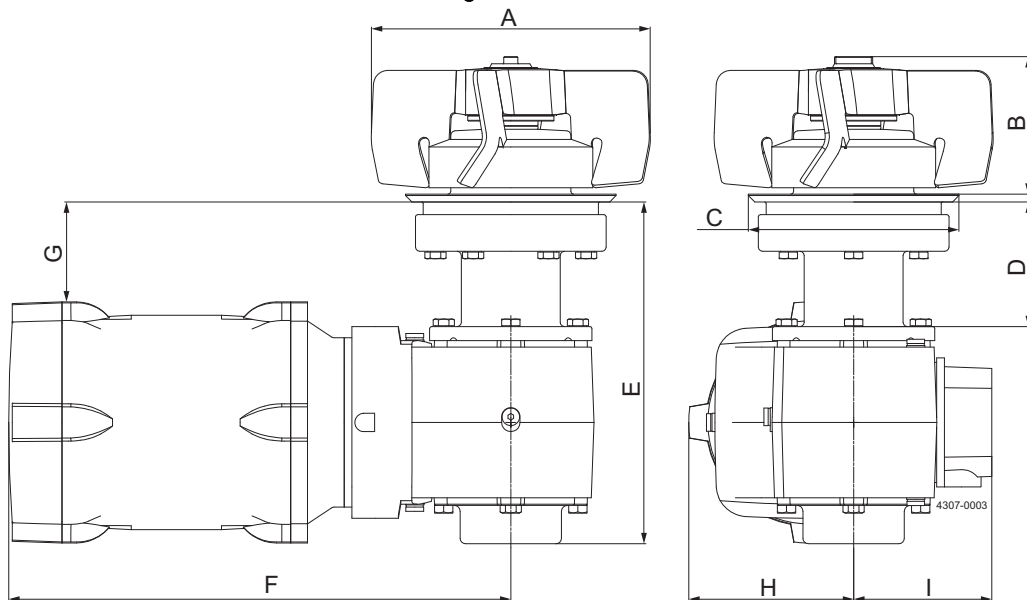
Table 3. MM434-12

Type	Magnetic Mixer UltraPure, MMU				LeviMag®				LeviMag®	
Version	-2	-3	-6	-7	S (painted)	E (painted)	S (cl.room)	E (cl.room)	S (PREMIUM)	E (PREMIUM)
Dimension mm / inch	MM434-12	MM434-12	MM434-12	MM434-12	WP81	WP81	WP81	WP81	WP81	WP81
A	Ø305 / 12	Ø305 / 12	Ø305	Ø305	Ø300	Ø300	Ø300	Ø300	Ø300	Ø300
B	183 / 7.21	183 / 7.21	183	183	98	98	98	98	98	98
C	Ø149 / 5.87	Ø149 / 5.87	Ø149	Ø149	Ø149	Ø149	Ø149	Ø149	Ø149	Ø149
D	88 / 3.5	138 / 5.4	87	137	89	139	89	139	89	139
E	331 / 13.0	381 / 15	243	293	243	293	243	293	243	293
F	338 / 13.3	338 / 13.3	347	347	354	354	357	357	354	354
G	96.6 / 3.8	146.60 / 5.77	62	112	74	124	70	120	78	128
H	141.5 / 5.57	141.5 / 5.57	141.5	141.5	114	114	117	117	110	110
I	97 / 3.81	97 / 3.81	97	97	111	111	98	98	112	112

### Magnetic Mixer MM434



### LeviMag® version WP81



## 2 Upgrade possibilities of MM434

### 2.1 Drive Unit Upgrade (DU KIT and Gear Motor)

Table 4. Drive Unit Upgrade (DU kits) - WP81

WP81 Std. DU Kit	WP81 Ext. DU Kit
<i>Item no.</i>	<i>Item no.</i>
8010001749	8010001751

Table 5. Gear motors

Size	Item no.	Description	Mounting Angle*	Gear Motor, Surface
WP81	9615435101	Nord SK93072.1ABH-80T1/4TF	0-22 deg	IE4, Blue RAL5010
WP81	9615435103	Nord SK93072.1ABH-80T1/4TF	23-45 deg	IE4, Blue RAL5010
WP81	9615435102	Nord SK93072.1ABH-90T3/4HMTTF	0-22 deg	IE4, Clean room
WP81	9615435104	Nord SK93072.1ABH-90T3/4HMTTF	23-45 deg	IE4, Clean room
WP81	9615488601	Nord SK93072.1ABH-80LP/4CUSTF	0-22 deg	PREMIUM, Blue RAL5010
WP81	9615488602	Nord SK93072.1ABH-80LP/4CUSTF	23-45 deg	PREMIUM, Blue RAL5010

\*Please see the LeviMag® Instruction Manual for detailed information



**How to contact Alfa Laval**

Contact details for all countries are continually updated on our website.

Please visit [www.alfalaval.com](http://www.alfalaval.com) to access the information directly.

© Alfa Laval Corporate AB

This document and its contents is owned by Alfa Laval Corporate AB and protected by laws governing intellectual property and thereto related rights. It is the responsibility of the user of this document to comply with all applicable intellectual property laws. Without limiting any rights related to this document, no part of this document may be copied, reproduced or transmitted in any form or by any means (electronic, mechanical, photocopying, recording, or otherwise), or for any purpose, without the expressed permission of Alfa Laval Corporate AB. Alfa Laval Corporate AB will enforce its rights related to this document to the fullest extent of the law, including the seeking of criminal prosecution.